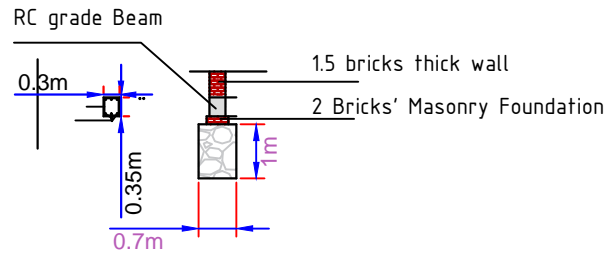
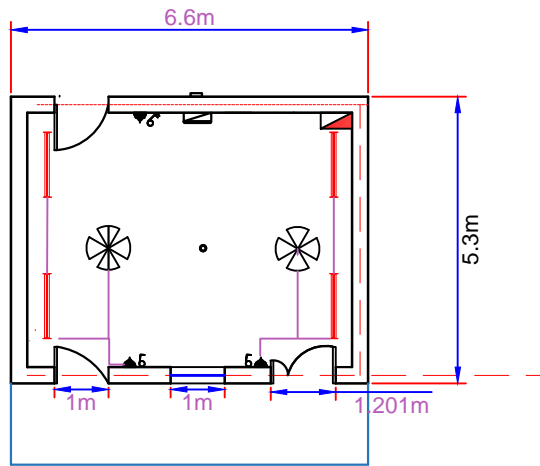


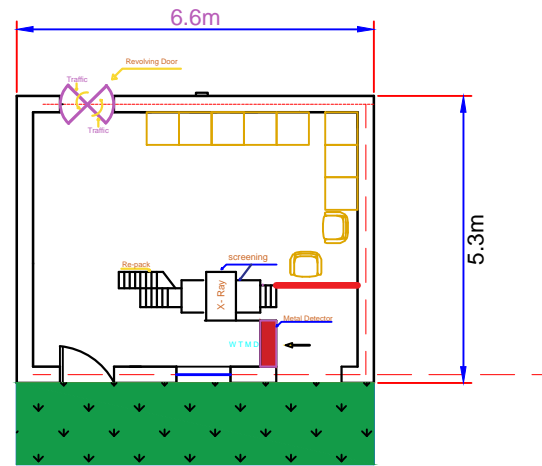
Section A-A



Foundation

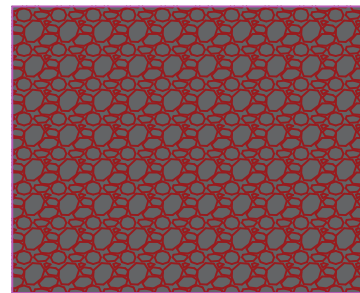


Electricity Layout Plan



Security Control Layout Plan

	Main Control Panel
	4' Fluorescent Lamp 40 w
	One Way Switch
	Two Way Switch
	Socket 13 A
	Air Conditioning
	Ceiling Fan



Roof Layout Plan